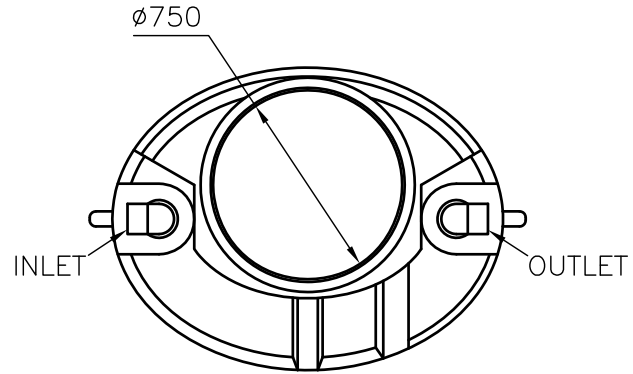


ALL DIMENSIONS IN mm

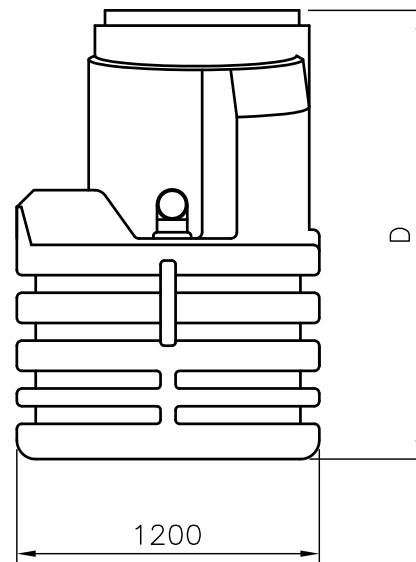
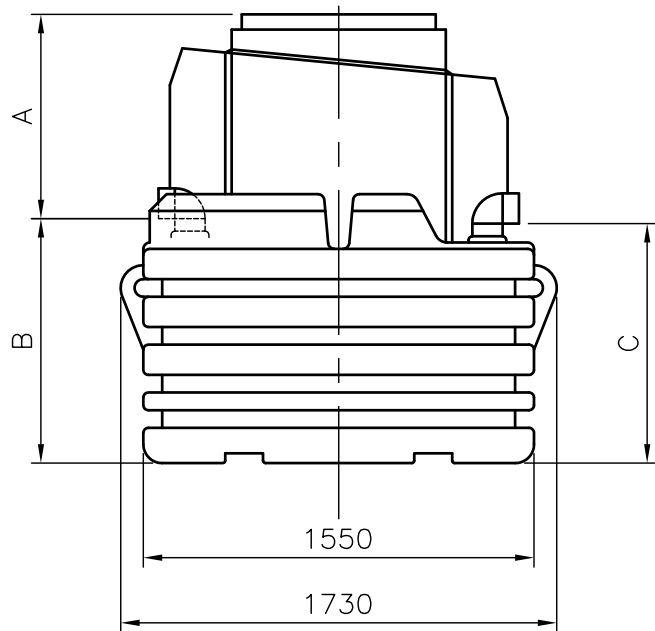


SPECIFICATION:-

CLASS 1 C/W INTEGRAL SILT STORAGE CAPACITY, COALESCING FILTER & AUTO CLOSURE DEVICE

MODEL REF	PEAK FLOW L/SEC	AREA DRAINED m <sup>2</sup>	OIL STORAGE LITRES	SILT STORAGE LITRES	DIMENSION A *	DIMENSION B (INLET)	DIMENSION C (OUTLET)	DIMENSION D	IN/OUT PIPE DIAMETERS
NS3	3	167	30	300	610	970	950	1580	110
NS6	6	333	60	600	582	1218	1198	1800	160
NS8	8	444	80	1000	582	1518	1498	2100	160
NS10	10	555	100	1000	582	1518	1498	2100	160

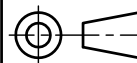
\* RISERS (1000mm) ARE AVAILABLE FOR DEEPER INVERT APPLICATIONS. OIL & SILT MONITORS/ALARMS ARE AVAILABLE.



Croom, Enmore Road, Enmore, Bridgwater, TA5 2AN  
Tel: 01278 671297 Fax: 01278 671963  
Email: info@synergy-wtp.co.uk Web: www.synergy-wtp.co.uk

Drawing Title:

SYNERGY/ACO RANGE OF CLASS 1 FULL RETENTION SEPARATORS



DO NOT SCALE

REV.	BY	DATE	DESCRIPTION
Drawing No:			Sheet 1 of 1
PPG3/NS ACO RANGE			
Date:		26 Feb 2013	
Drawn by:		CADraughting	