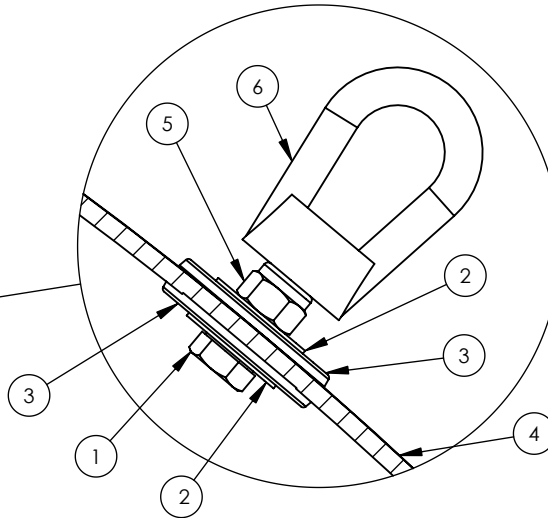
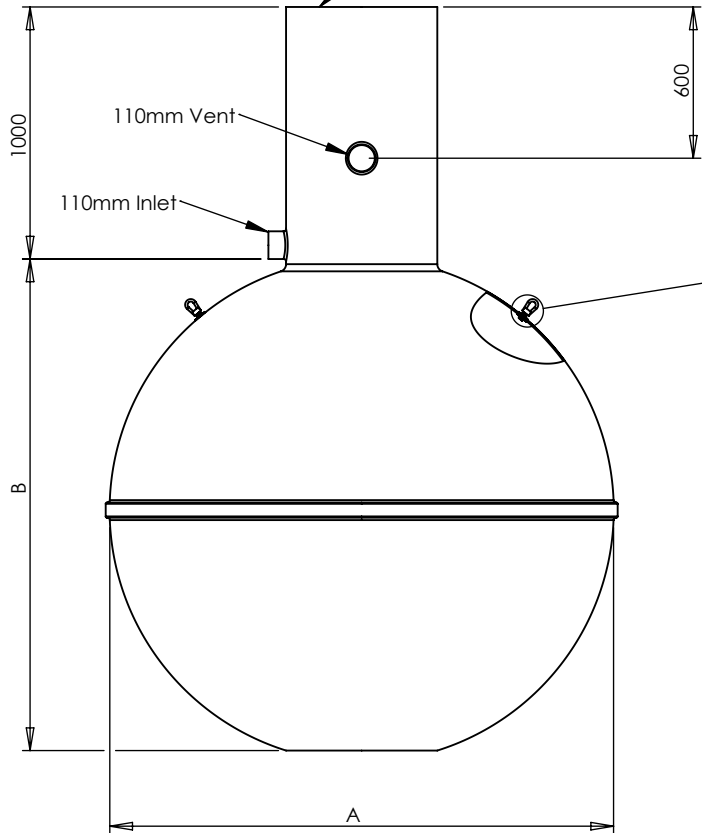


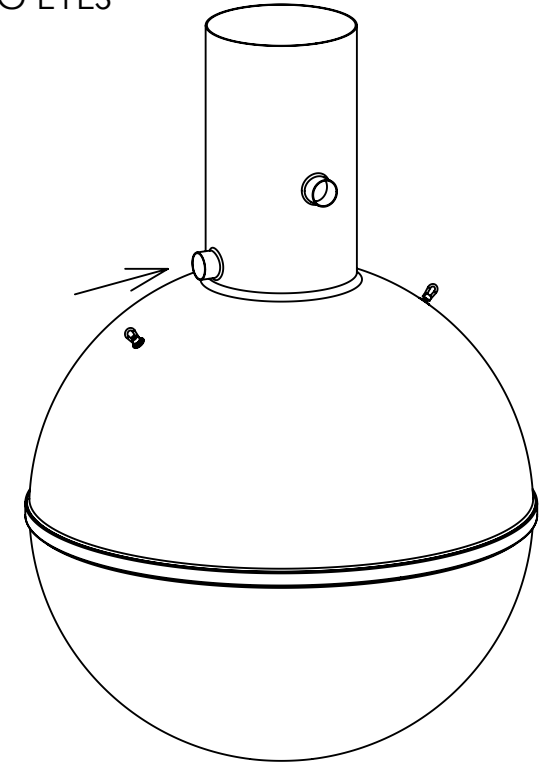
TURRET CAN BE TRIMMED TO SUIT INCOMING DRAIN INVERT

LIFTING EYE ASSEMBLY DETAIL

IMPORTANT
ALWAYS USE BOTH
LIFTING EYES



1	M10 STAINLESS STEEL BOLT
2	M10 STAINLESS STEEL PENNY WASHER
3	M10 x 50 NYLON STRUCTURAL WASHER
4	TANK SHELL
5	M10 STAINLESS STEEL NYLOC NUT
6	CE MARKED M10 LIFTING EYE RATED @360kg



ROBUSTA TANK:- THE TOUGH ONE!
BUILT FOR THE JOB
BUILT IN BRITAIN

TANK CAPACITY	DIM A	DIM B
2800L	1750	1785
3800L	1940	2000
4600L	2050	2100
6000L	2250	2200

Synergy
WASTEWATER TREATMENT PRODUCTS

Croom, Enmore Road, Enmore, Bridgwater, Somerset, TA5 2AN
Tel: 01278 671927 Fax: 01278 671963 E-mail: info@synergy-wtp.co.uk
Web: www.synergy-wtp.co.uk

Drawing Title:
Synergy Robusta Range
Spherical Cesspool Tank
2,800 - 6,000 litres

All dimensions in mm SCALE:1:30

REV.	DESCRIPTION

Drawing No: Sheet 1 of 1
SD0904/ROBUSTA

Date: 05/02/2010
Drawn by: P Martin