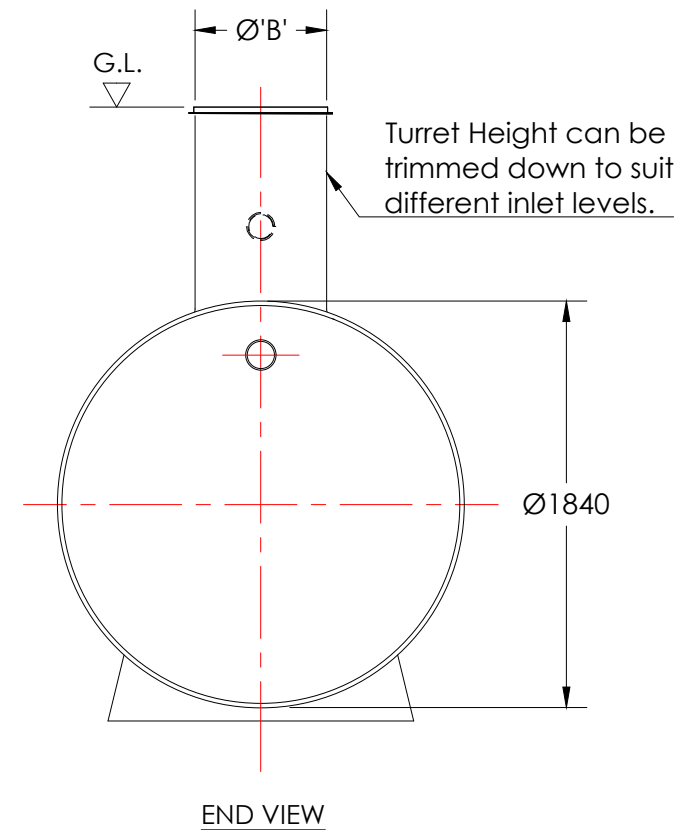


SIDE VIEW



END VIEW

Capacity in Litres.	Dimensions	
	A	B
6000	2700	600
7500	3350	750
9000	3950	750
10,000	4450	750
12,000	5250	750
14,000	6050	750
16,000	6900	750

*Larger Inlet / Outlet Pipework is available:
Ø110, Ø160, or Ø200mm.

Installation Notes:

Standard units are suitable for installation to a maximum depth of 1 metre.
Heavy duty units are also available.



Croom, Enmore Road, Enmore, Bridgwater, Somerset TA5 2AN
Phone: 0044 (0)1278 671927 Fax: 0044 (0)1278 671963 E-mail: info@synergy-wtp.co.uk
Web: www.synergy-wtp.co.uk

Drawing Title:
**SYNERGY
RAINWATER HARVESTING TANKS
6000-16000 LITRES.**

All dimensions are in mm. Scale : **N.T.S.**

Rev:	Revision Details:	Date:	Drawing No :	RH-002
A	Table Update	20/12/15	1st Issue Date :	25/06/2015
			Drawn :	NS
			Chkd :	JN
			Aprvd :	JN

