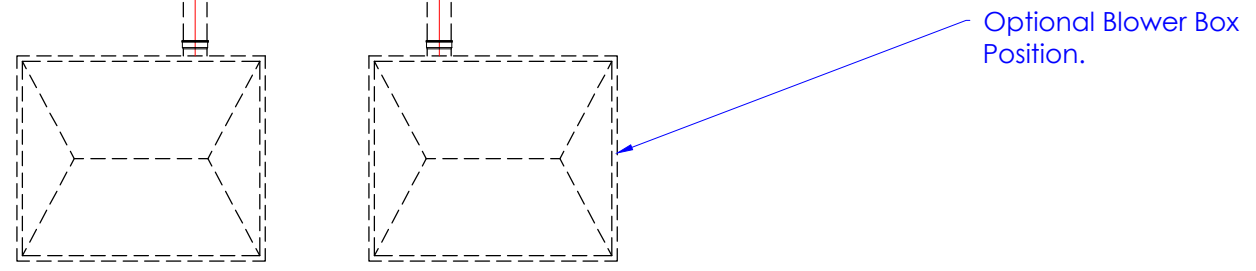
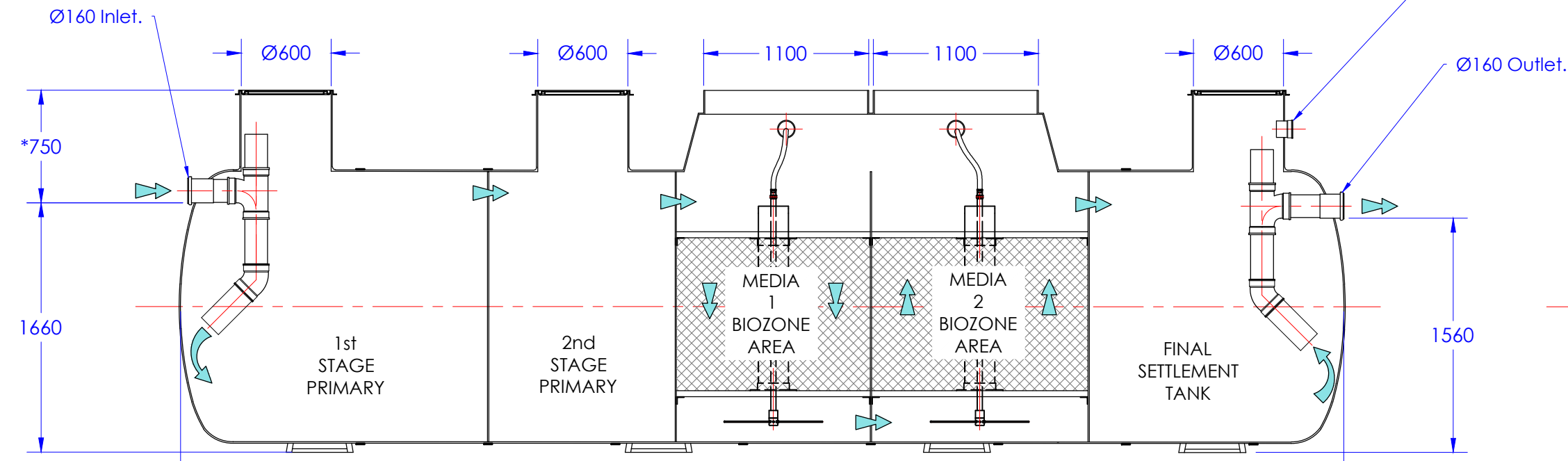


Blower Boxes.



Optional Blower Box Position.

PLAN



Ø110 Vent.

Ø160 Outlet.

Ø160 Inlet.

*750

1660

1st STAGE PRIMARY

2nd STAGE PRIMARY

MEDIA 1 BIOZONE AREA

MEDIA 2 BIOZONE AREA

FINAL SETTLEMENT TANK

7750

Ø600

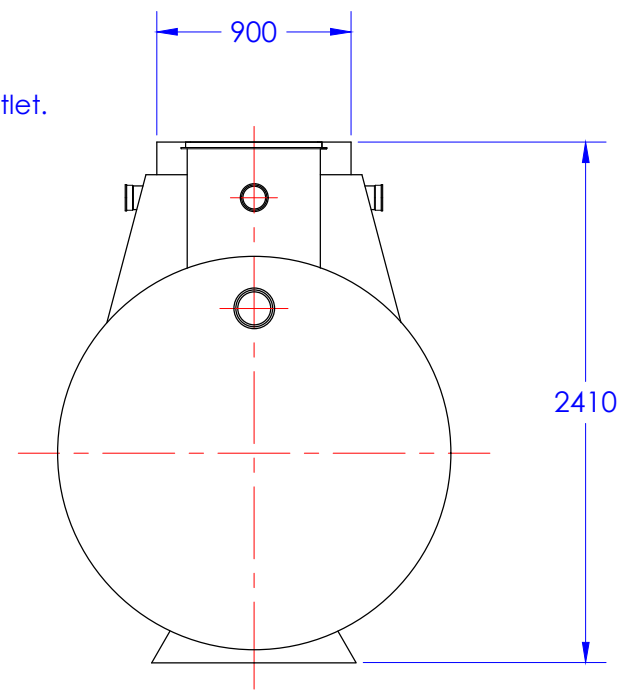
Ø600

1100

1100

Ø600

1560



END VIEW

Note:
*Shallower / Deeper inverts are available.

SECTION A-A

Croom, Enmore Road, Enmore, Bridgwater, Somerset TA5 2AN
Phone: 0044 (0)1278 671927 Fax: 0044 (0)1278 671963 E-mail: info@synergy-wtp.co.uk
Web: www.synergy-wtp.co.uk

Drawing Title:
P50 Gravity Outlet

**Optima Submerged Aerated Filter
Sewage Treatment Plant (1800 Range)**

All dimensions are in mm. Scale : **NTS**

Rev:	Revision Details:	Date:	Drawing No : SD-P50
			1st Issue Date : 10/02/2016
			Drawn : NS
			Chkd : JN
			Aprvd : JN

