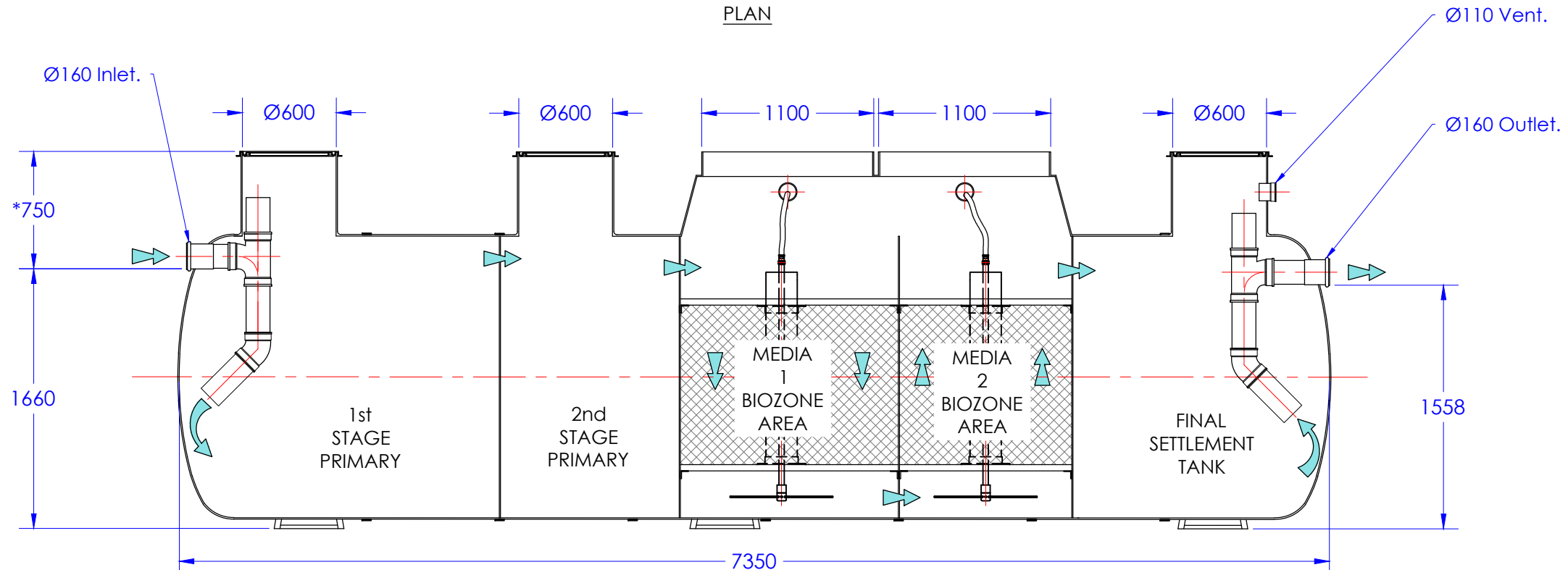
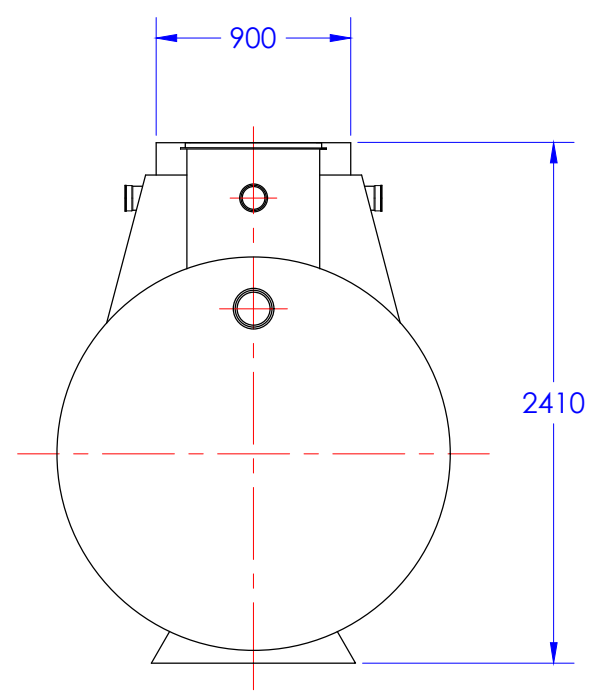


PLAN



SECTION A-A



END VIEW

**Note:**  
\*Shallower / Deeper inverts are available.

Croom, Enmore Road, Enmore, Bridgwater, Somerset TA5 2AN  
Phone: 0044 (0)1278 671927 Fax: 0044 (0)1278 671963 E-mail: info@synergy-wtp.co.uk  
Web: www.synergy-wtp.co.uk

Drawing Title:  
**P45 Gravity Outlet**

**Optima Submerged Aerated Filter  
Sewage Treatment Plant (1800 Range)**

All dimensions are in mm. Scale: **NTS**

Rev:	Revision Details:	Date:	Drawing No.:	SD-P45
			1st Issue Date:	10/02/2016
			Drawn:	NS
			Chkd:	JN
			Aprvd:	JN

