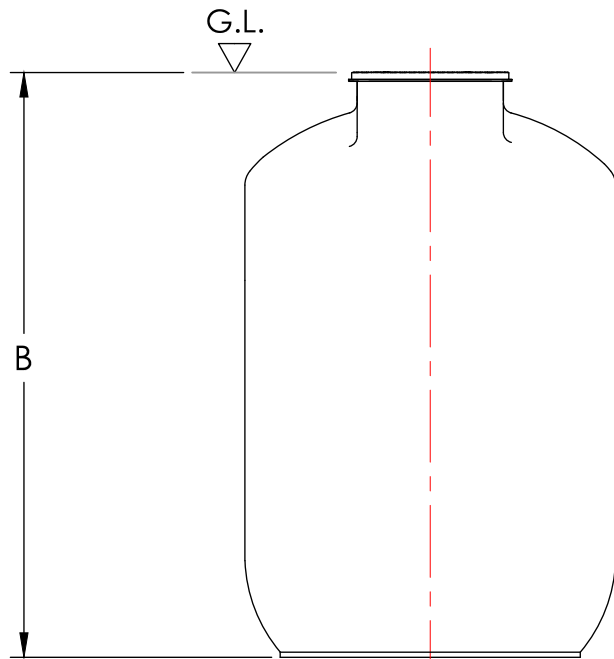


PLAN VIEW



SIDE VIEW

Synergy Contract Number :

Client :

Dimensions - in mm

Tank		Manway Size		
ØA	B	C	x	D
			x	

Notes:

Drawing No : **VPS-001-**

Date:



Croom, Enmore Road, Enmore, Bridgwater, Somerset TA5 2AN
 Phone: 0044 (0)1278 671927 Fax: 0044 (0)1278 671963 E-mail: info@synergy-wtp.co.uk
 Web: www.synergy-wtp.co.uk

Drawing Title:
**SYNERGY PUMP CHAMBER
 GENERIC VERTICAL VESSEL - DATA SHEET**

All dimensions are in mm. Scale : **N.T.S.**

Rev:	Revision Details:	Date:

Drawn :	NS
Chkd :	JN
Aprvd :	JN

A4

