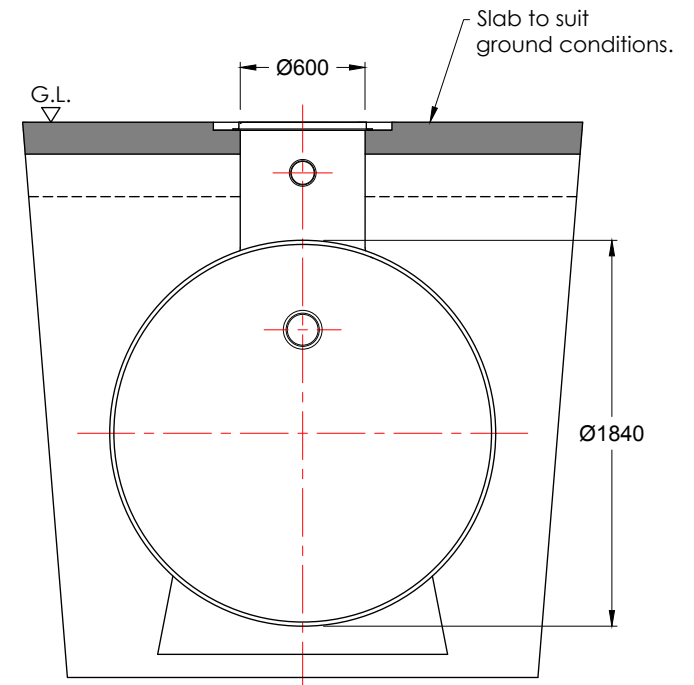


PART SECTION ON C-C



END VIEW

**General Notes:**

These tanks can be supplied with Integral 'Parallel Plate Particulate Filters' to the outlet if required.

**Installation Notes:**

Standard units are suitable for installation to a maximum depth of 1 metre. Heavy duty units are also available.

Capacity in Litres.	Dimensions		Persons (PE)
	A	B	
6500	3250	110	25/30
8000	4100	160	36/43
10,000	4950	160	44/53
12,000	5800	160	55/66
14,000	6650	160	66/80
16,000	7500	160	77/93



Groom, Enmore Road, Enmore, Bridgwater, Somerset TA5 2AN  
 Phone: 0044 (0)1278 671927 Fax: 0044 (0)1278 671963 E-mail: info@synergy-wp.co.uk  
 Web: www.synergy-wp.co.uk

Drawing Title:  
**SYNERGY CYLINDRICAL SEPTIC TANKS  
 TWO STAGE HORIZONTAL FLOW.  
 6000-16000 LITRES.**

All dimensions are in mm. Scale : **N.T.S.**

Rev:	Revision Details:	Date:	Drawing No :	<b>1007-Rev C</b>
<b>A</b>	<b>Re-formatted drawing</b>	<b>03/07/14</b>	1st Issue Date :	<b>17/05/2013</b>
<b>B</b>	<b>New size range.</b>	<b>20/04/15</b>	Drawn :	<b>NS</b>
<b>C</b>	<b>Table additions.</b>	<b>04/06/15</b>	Chkd :	<b>JN</b>
			Aprvd :	<b>JN</b>

