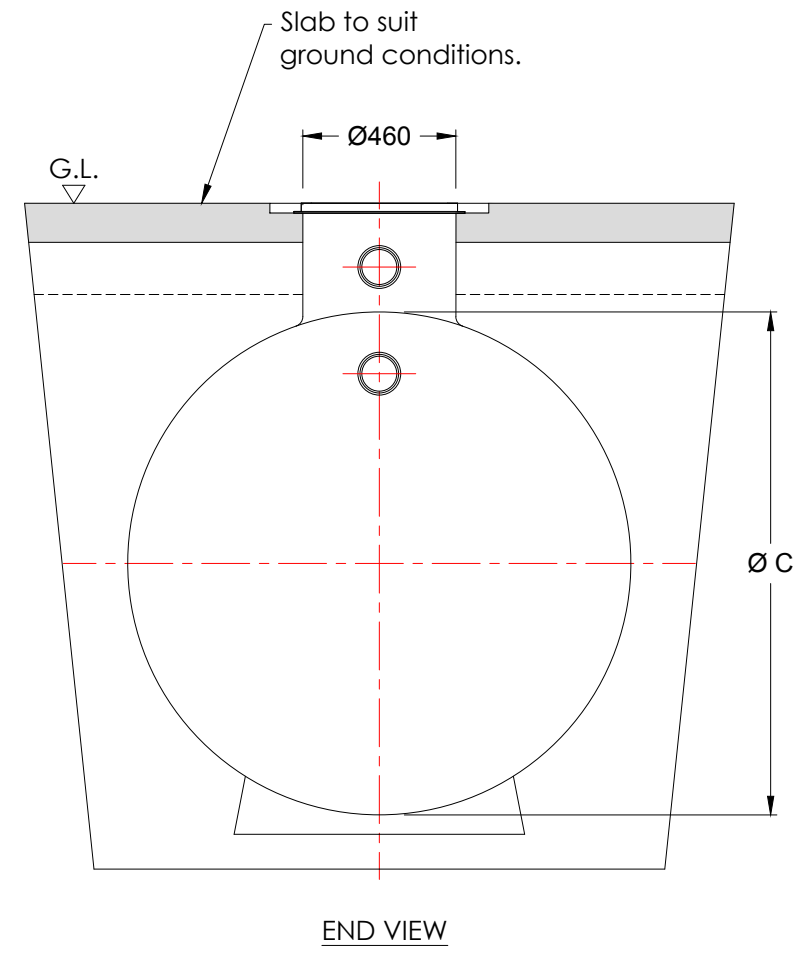


PART SECTION ON C



END VIEW

**Installation Notes:**

Standard units are suitable for installation to a maximum depth of 1 metre.  
Heavy duty units are also available.

Model / Size	Dimensions		
	A	B	C
P 4/5	1150	2750	1200
P 6	1400	1850	1500
P 10	1400	2250	1500
P 16	1400	2750	1500



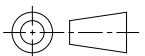
Croom, Enmore Road, Enmore, Bridgwater, Somerset TA5 2AN  
Phone: 0044 (0)1278 671927 Fax: 0044 (0)1278 671963 E-mail: info@synergy-wtp.co.uk  
Web: www.synergy-wtp.co.uk

Drawing Title:  
**SYNERGY LOW PROFILE SEPTIC TANK RANGE**  
**EN12566-1 TESTED & APPROVED.**  
**C.E. MARKED.**

All dimensions are in mm.

Scale : **N.T.S.**

Rev:	Revision Details:	Date:	Drawing No :	<b>1006 / Rev D</b>
<b>A</b>	<b>Re-formatted drawing</b>	<b>03/07/14</b>	1st Issue Date :	<b>02/07/2014</b>
<b>B</b>	<b>General Updates</b>	<b>18/06/17</b>	Drawn :	<b>NS</b>
<b>C</b>	<b>General Updates</b>	<b>19/06/17</b>	Chkd :	<b>JN</b>
<b>D</b>	<b>Table Updates</b>	<b>15/05/18</b>	Aprvd :	<b>JN</b>



**A4**