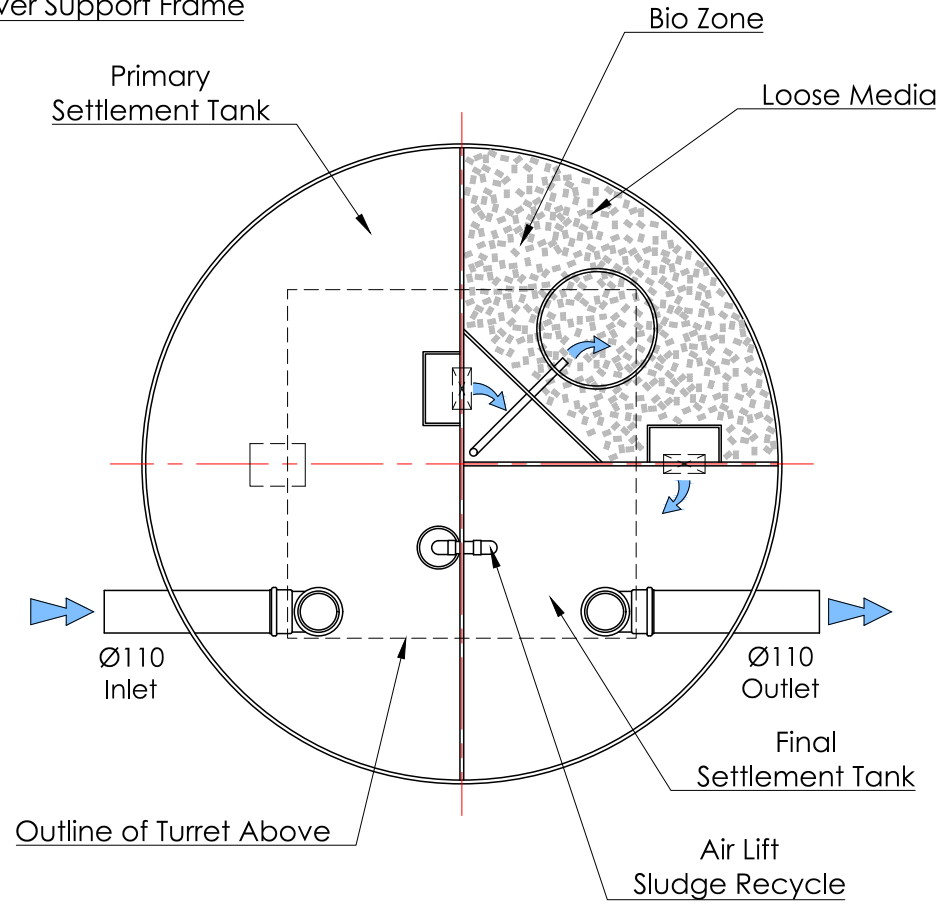


FRONT ELEVATION



SECTION ON A-A



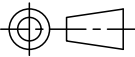
Croom, Enmore Road, Enmore, Bridgwater, Somerset TA5 2AN  
 Phone: 0044 (0)1278 671927 Fax: 0044 (0)1278 671963 E-mail: info@synergy-wtp.co.uk  
 Web: www.synergy-wtp.co.uk

Drawing Title:  
**SYNERGY / MATRIX  
 SHALLOW DIG SEWAGE TREATMENT PLANT .  
 9 PERSON - GRAVITY UNIT.**

All dimensions are in mm. Scale : **N.T.S.** **A**

Rev:	Revision Details:	Date:

Drawing No :	<b>SD P9 G-Rev A</b>
1st Issue Date :	<b>23/03/2015</b>
Drawn :	<b>DM</b>
Chkd :	<b>JN</b>
Aprvd :	<b>JN</b>

 <b>A4</b>
--